

Contour Seating

EM038-T



EMERDYN

02 9534 1314

sales@emerdyn.com.au



Contour seating offers an attractive & flexible alternative to conventional seating. This seating will enhance any open space and is particularly useful in areas where space is restricted. Most shapes & lengths can be accommodated to suit various landscapes.

Standard Specifications:

- Battens: hardwood timber 63 x 30mm, oiled
- Frame: galvanised steel
- Finish: natural galvanised steel
- Fixture: surface, sub-surface, inground

Options:

- Design: length, shape and depth customisable
- Battens: composite batten
aluminium batten 63 x 30mm
steel slats 40 x 5mm
stainless steel slats 40 x 5mm
- Frame: stainless steel
- Finish: powder coated frame
painted timber battens

Note:

- Largest gaps fan out up to 22mm between timbers
- Length of bench will be determined by nearest common timber+gap interval to arcs shown
- Please allow 20mm radius tolerance

Option examples:



EM038 steel slat option



EM038 composite batten option

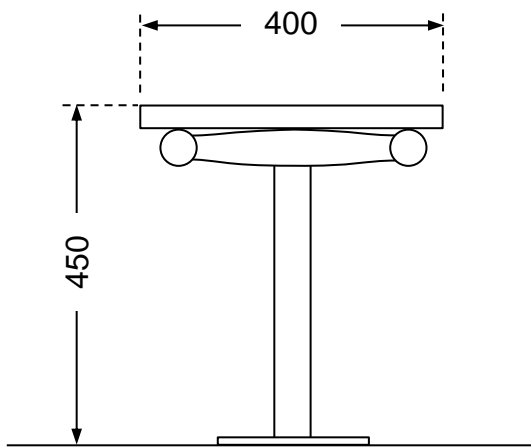


EM038 with powdercoated base option

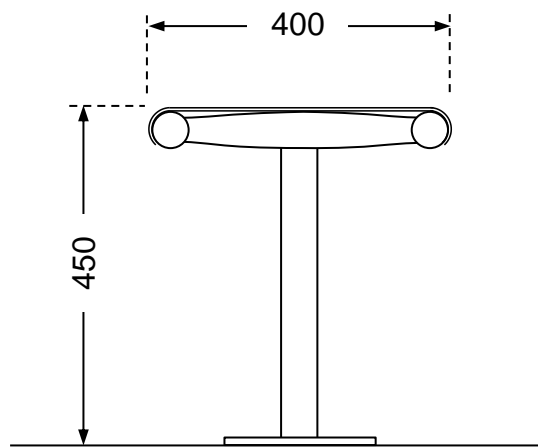
Contour Seating

EM038

Dimensions



Hardwood Timber Battens
Tightest inside radius 1350 IR



Steel Slat option
Tightest inside radius 750 IR

**note tightest radii shown will result in up to 22mm gap between battens/slats on outside curve*